

DeVlieg-Bullard Services Group owns the design represented by this document. The document, part or product is not to be reproduced without specific written approval of DeVlieg-Bullard Services Group

ATTENTION SUPPLIERS: Any missing or vague print detail must be clarified with DBSG's Engineering Department prior to Manufacturing this Component. Today's Manufacturing Standards are not necessarily those practiced by the O.E.M.

360:1 RATIO
MODEL-D-9467-1L & D-9467-1R

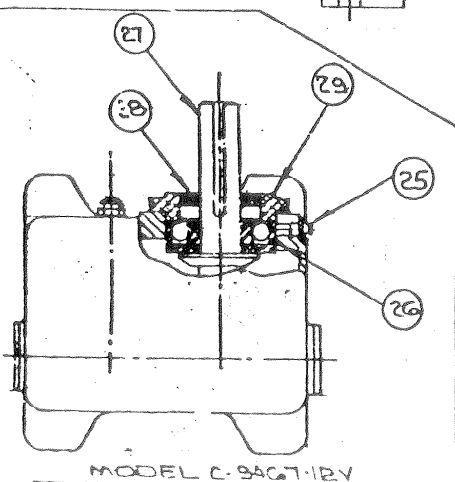
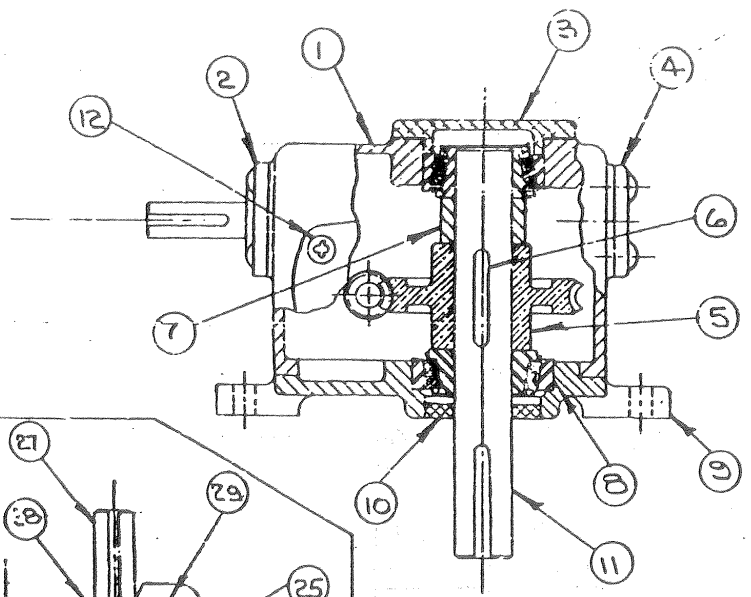
NO	PART DESCRIPTION	NAMCO NO.	CHG GEAR NO.	NO	PART DESCRIPTION	NAMCO NO.	CHG GEAR NO.
B	1 REDUCER HOUSING	01914-33	D-400055	17	1/4-20 BEX. WASHER HD. MACH. SCR.	01914-49	
	2 SHAFT COVER	01914-34	1901-CC	18	VENT PLUG	01914-50	A-8682
	3 SHAFT COVER	01914-35	1911-BB	19	SHAFT COVER	01914-51	1901-BB
	4 SHAFT COVER	01914-36	1901-DD	20	INTERMEDIATE SHAFT	01914-62	A-400062
	5 OUTPUT WORM GEAR	01914-37	2401-Y 1136-D	21	INTERMEDIATE WORM GEAR	01914-53	1911-YY 19140-S
	6 OUTPUT KEY	01914-38	2401-Y	22	INTERMEDIATE KEY	01914-54	A-400054
C	7 SPACER	01914-39	A-400065	23	TAPERED ROLLER BEARING CUP CONE	01914-55	1911-YY 19140-S
	8 TAPERED ROLLER BEARING CUP CONE	01914-40	1911-YY 19140-S	24	PERMATEX		
D	9 HOUSING BASE	01914-41	C-400058	25	GREASE FITTING ALEMITE	01914-37	1641
	10 GAELOCK OIL SEAL	01914-42	63x70x1	26	BALL BEG.	01914-58	3202-88
E	11 OUTPUT SHAFT	01914-43	A-400063	27	INPUT SHAFT	01914-59	8-400059
	12 1/4-20 BEX. WASHER HD. MACH. SCR.	01914-44		28	GAELOCK OIL SEAL	01914-60	82x1021
F	13 INPUT SHAFT	01914-45	8-400059	29	SHAFT COVER	01914-61	1901-CC
	14 GAELOCK OIL SEAL	01914-46	82-7021				
	15 BALL BEG.	01914-47	3202-BB				
	16 PIPE PLUG	01914-48					

FEB 16 1958

	FOR 540:1 RATIO		FOR 360:1 RATIO		
5	OUTPUT WORM GEAR	02346-37 2401-Y 1136-D	5	OUTPUT WORM GEAR	02346-41 2401-Y 1136-G
13	INPUT SHAFT	02346-38 8-400058	13	INPUT SHAFT	01914-45 8-400059
20	INTERMEDIATE SHAFT	02346-39 A-400061	20	INTERMEDIATE SHAFT	02346-42 A-400060
21	INTERMEDIATE WORM	02346-40 2111-YY 1930-S	21	INTERMEDIATE WORM	01914-53 2111-YY 19140-S

THIS DRAWING IS NOT FOR CUSTOMER USE
SEE NAMCO DWG. NO. 01914-63

CUST. PART No.	LAYOUT No.	ASSM. No.



MODEL C-9467-1B