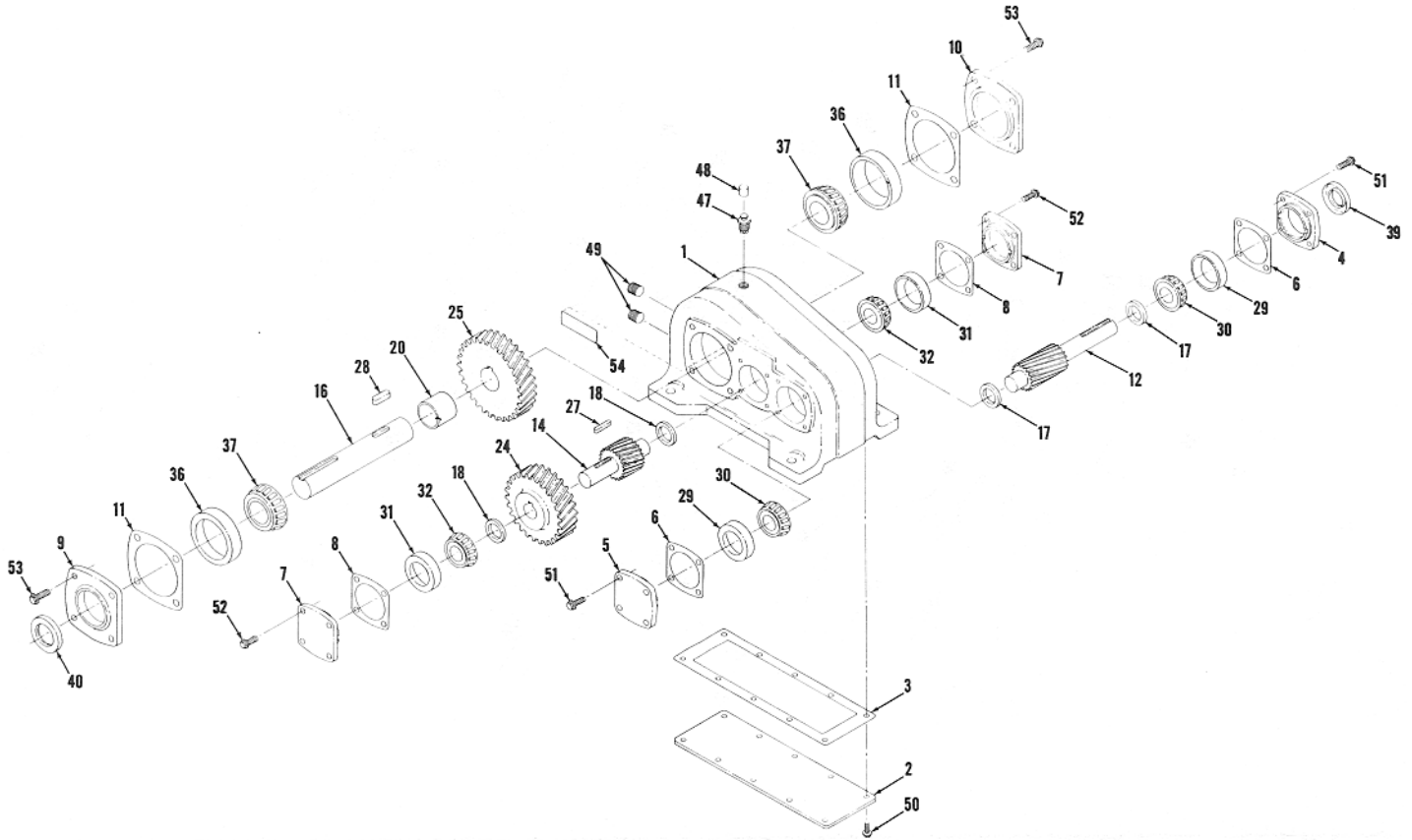


DHH-2 DOUBLE REDUCTION Parts List

OHIO GEAR



Item	Description	Item	Description
1	Housing	27	Key, Intermediate
2	Cover, Housing	28	Key, Low-Speed
3	Gasket, Fip Compound	29	Cup, Bearing, High-Speed
4	Shaft Cover (Live End, High-Speed)	30	Cone, Bearing, High-Speed
5	Shaft Cover (Dead End, High-Speed)	31	Cup, Bearing, Intermediate
6	Shim, Shaft Cover, High-Speed	32	Cone, Bearing, Intermediate
7	Shaft Cover (Dead End, Intermediate)	36	Cup, Bearing, Low-Speed
8	Shim, Shaft Cover, Intermediate	37	Cone, Bearing, Low-Speed
9	Shaft Cover (Live End, Low-Speed)	39	Oil Seal, High-Speed
10	Shaft, Cover (Dead End, Low-Speed)	40	Oil Seal, Low-Speed
11	Shim, Shaft Cover, Low-Speed	47	Fitting, Vent
12	Shaft, High-Speed (Integral)	48	Cap, Vent
14	Shaft Intermediate (Integral)	49	Plug, Pipe
16	Shaft Low-Speed	50	Screw, Hex. Head
17	Spacer, High-Speed	51	Screw, Hex. Head
18	Spacer Intermediate	52	Screw, Hex. Head
20	Spacer, Low-Speed	53	Screw, Hex. Head
24	Helical Gear 1st Reduction	54	Plate, Identification
25	Helical Gear 2nd Reduction		