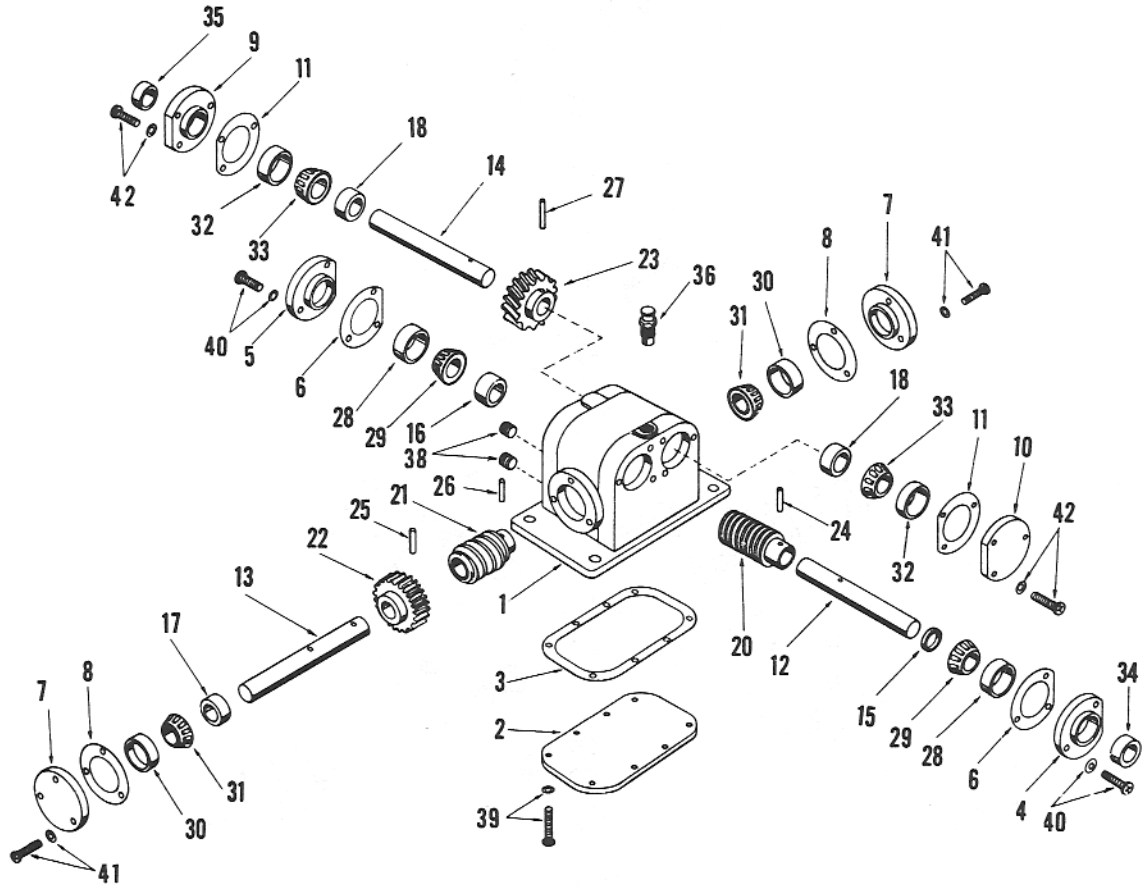


DOX DOUBLE REDUCTION Parts List

OHIO GEAR



Item	Description	Item	Description
1	Housing	22	Worm Gear, 1st Reduction
2	Cover, Housing	23	Worm Gear, 2nd Reduction
3	Gasket, Fip Compound	24	Roll Pin, High-Speed
4	Shaft Cover (L.E. High-Speed)	25	Roll Pin, Intermediate
5	Shaft Cover (D.E. High-Speed)	26	Roll Pin, Intermediate
6	Shim, Shaft Cover, High-Speed	27	Roll Pin, Low-Speed
7	Shaft Cover, D.E., Intermediate	28	Cup, Bearing, High-Speed
8	Shim, Shaft Cover, Intermediate	29	Cone, Bearing, High-Speed
9	Shaft Cover L.E., Low-Speed	30	Cup, Bearing, Intermediate
10	Shaft Coved D.E., Low-Speed	31	Cone, Bearing, Intermediate
11	Shim, Shaft Cover, Low-Speed	32	Cup, Bearing, Low-Speed
12	Shaft, High-Speed	33	Cone, Bearing, Low-Speed
13	Shaft, Intermediate	34	Oil Seal, High-Speed
14	Shaft, Low-Speed	35	Oil Seal, Low-Speed
15	Spacer, High-Speed	36	Fitting, Vent
16	Spacer, High-Speed	38	Plug, Pipe
17	Spacer Intermediate	39	Screw, Phillips Truss Head
18	Spacer, Low-Speed	40	Screw, Phillips Truss Head
20	Worm, 1st Reduction	41	Screw, Phillips Truss Head
21	Worm, 2nd Reduction	42	Screw, Phillips Truss Head