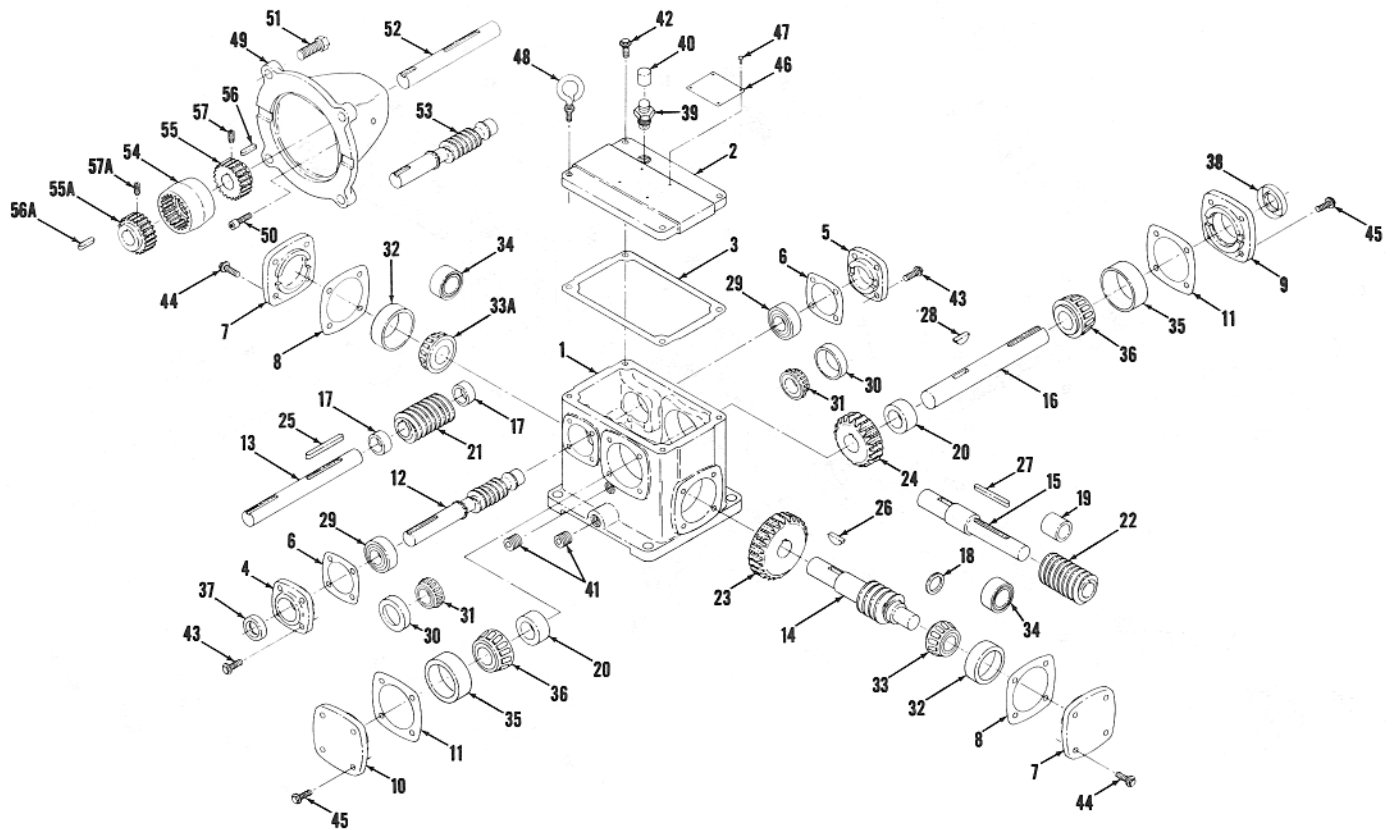


"D" SERIES DOUBLE REDUCTION Parts List

OHIOGEAR



Item	Description	Item	Description	Item	Description
1	Housing	21	Worm, 1st Reduction	41	Plug, Pipe
2	Cover, Housing	22	Worm, 2nd Reduction	42	Screw, Hex. Head
3	Gasket, Fip Compound	23	Worm Gear, 1st Reduction	43	Screw, Hex. Head
4	Shaft Cover (Live End, High-Speed)	24	Worm Gear, 2nd Reduction	44	Screw, Hex. Head
5	Shaft Cover (Dead End, High-Speed)	25	Key, High-Speed	45	Screw, Hex. Head
6	Shim, Shaft Cover, High-Speed	26	Key, Intermediate	46	Plate, Identification
7	Shaft Cover, Intermediate	27	Key, Intermediate	47	Pin, Escutcheon
8	Shim, Shaft Cover, Intermediate	28	Key, Low-Speed	48	Eye Bolt
9	Shaft Cover (Live End, Low-Speed)	29	Bearing, Ball, High-Speed	49	Housing, Motor Bell
10	Shaft Cover (Dead End, Low-Speed)	30	Cup, Bearing, High-Speed	50	Screw, Hex. Socket Head
11	Shim, Shaft Cover, Low-Speed	31	Cone, Bearing, High-Speed	51	Screw, Hex. Head
12	Shaft, High-Speed (Integral)	32	Cup, Bearing Intermediate	52	Shaft, High-Speed
13	Shaft, High-Speed	33	Cone, Bearing, Intermediate	53	Shaft, High-Speed (Integral)
14	Shaft, Intermediate (Integral)	33A	Cone Bearing, Intermediate	54	Coupling, Sleeve
15	Shaft, Intermediate	34	Bearing, Ball, Intermediate	55	Coupling, Gear
16	Shaft, Low-Speed	35	Cup, Bearing, Low-Speed	55A	Coupling, Gear
17	Spacer, High-Speed	36	Cone, Bearing, Low-Speed	56	Key, Coupling
18	Spacer, Intermediate	37	Oil Seal, High-Speed	56A	Key, Coupling
19	Spacer, Intermediate	38	Oil Seal, Low-Speed	57	Set Screw
20	Spacer, Low-Speed	39	Fitting, Vent	57A	Set Screw
		40	Cap, Vent		