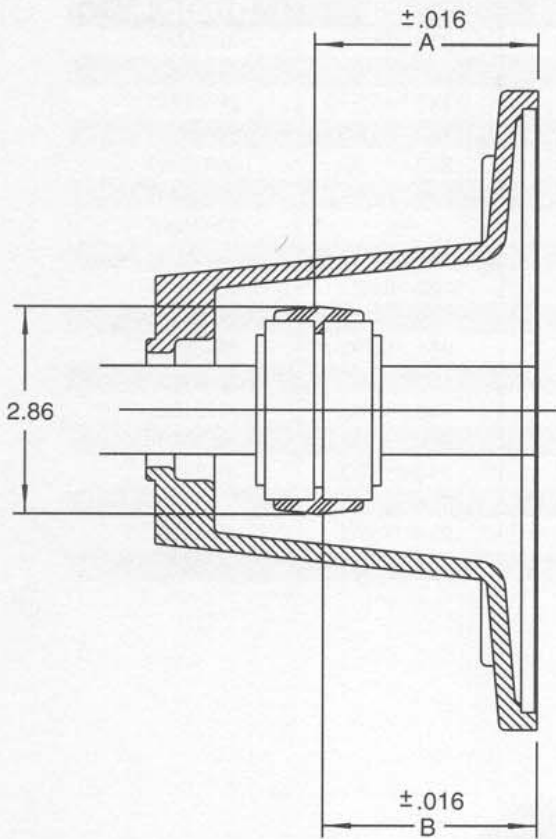
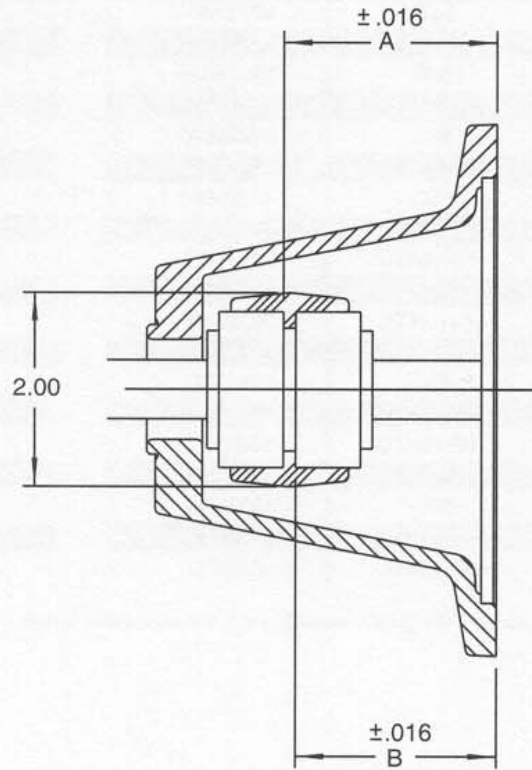


Coupling Mounting Data



182TC, 184TC, 213TC, 215TC, 254TC, & 256TC



56C, 143TC & 145TC

"Mc" Coupling Mounting Data

N.E.M.A. Frame No.	Mounting Dimensions	
	Reducer Half A $\pm \frac{1}{64}$	Motor Half B $\pm \frac{1}{64}$
56C	$2\frac{1}{4}$	$2\frac{1}{16}$
143TC	$2\frac{1}{4}$	$2\frac{1}{16}$
145TC	$2\frac{1}{4}$	$2\frac{1}{16}$
182TC	$2\frac{13}{16}$	$2\frac{5}{8}$
184TC	$2\frac{13}{16}$	$2\frac{5}{8}$
213TC	$3\frac{3}{16}$	$3\frac{1}{8}$
215TC	$3\frac{5}{16}$	$3\frac{1}{8}$
254TC	$3\frac{15}{16}$	$3\frac{3}{4}$
256TC	$3\frac{15}{16}$	$3\frac{3}{4}$