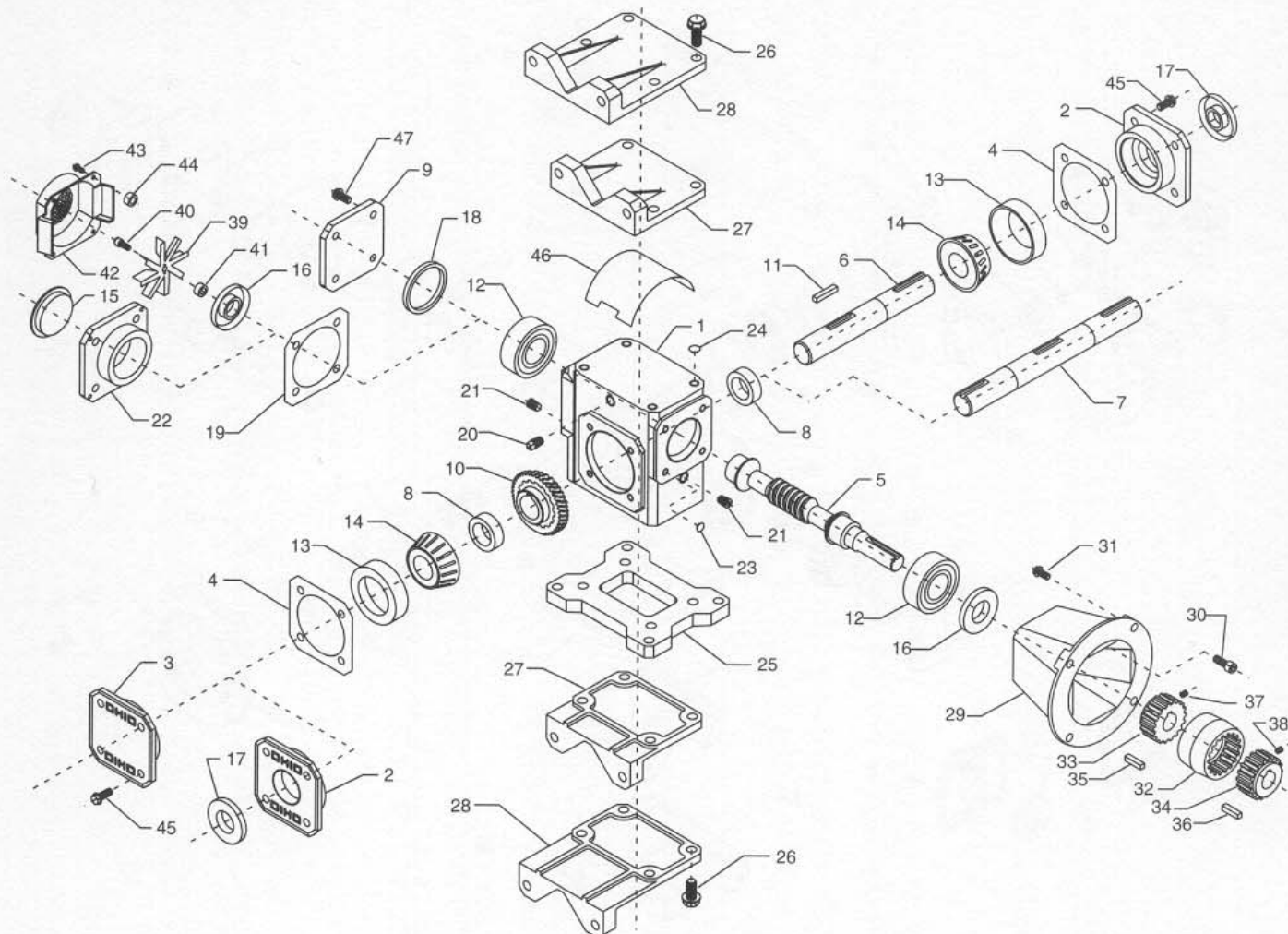


# Parts List— Single Reduction

## B, S, U, PL, PH Coupled Input



Item	Description	Item	Description
1.	Housing	25.	Base, Horizontal, U Style
2.	Bearing Carrier, Live End, Low Speed	26.	Screw, Hex Head
3.	Bearing Carrier, Dead End, Low Speed	27.	Base, Vertical, Low, PL Style
4.	Shim, Bearing Carrier	28.	Base, Vertical, High, PH Style
5.	Shaft, High Speed	29.	Housing, Motor Bell, MC Input
6.	Shaft, Single Output, Low Speed	30.	Screw, Hex Socket Head
7.	Shaft, Double Output, Low Speed	31.	Screw, Hex Head
8.	Spacer, Low Speed Shaft	32.	Coupling, Sleeve
9.	Cover, Dead End, High Speed *	33.	Coupling, Gear
10.	Worm Gear	34.	Coupling, Gear
11.	Key, Low Speed Shaft	35.	Key, Coupling
12.	Bearing, Ball, High Speed	36.	Key, Coupling
13.	Cup, Bearing, Low Speed	37.	Screw, Set
14.	Cone, Bearing, Low Speed	38.	Screw, Set
15.	Plug, Bore **	39.	Fan **
16.	Seal, Oil, High Speed	40.	Screw, Hex Socket Head **
17.	Seal, Oil, Low Speed	41.	Spacer, Fan **
18.	Shim, Selective *	42.	Housing, Fan **
19.	Shim, High Speed **	43.	Screw, Hex Head
20.	Fitting, Vent	44.	Spacer, Fan Housing ***
21.	Plug, Pipe	45.	Screw, Hex Head
22.	Cover, Live End, High Speed **	46.	Splash Guard
23.	Cap, Thread Protective, High Speed	47.	Screw, Hex Head
24.	Cap, Thread Protective, Housing		

\* Used on Units 2133 thru 2262    \*\* Used on Units 2300 thru 2525    \*\*\* Used on Units 2425 and 2525