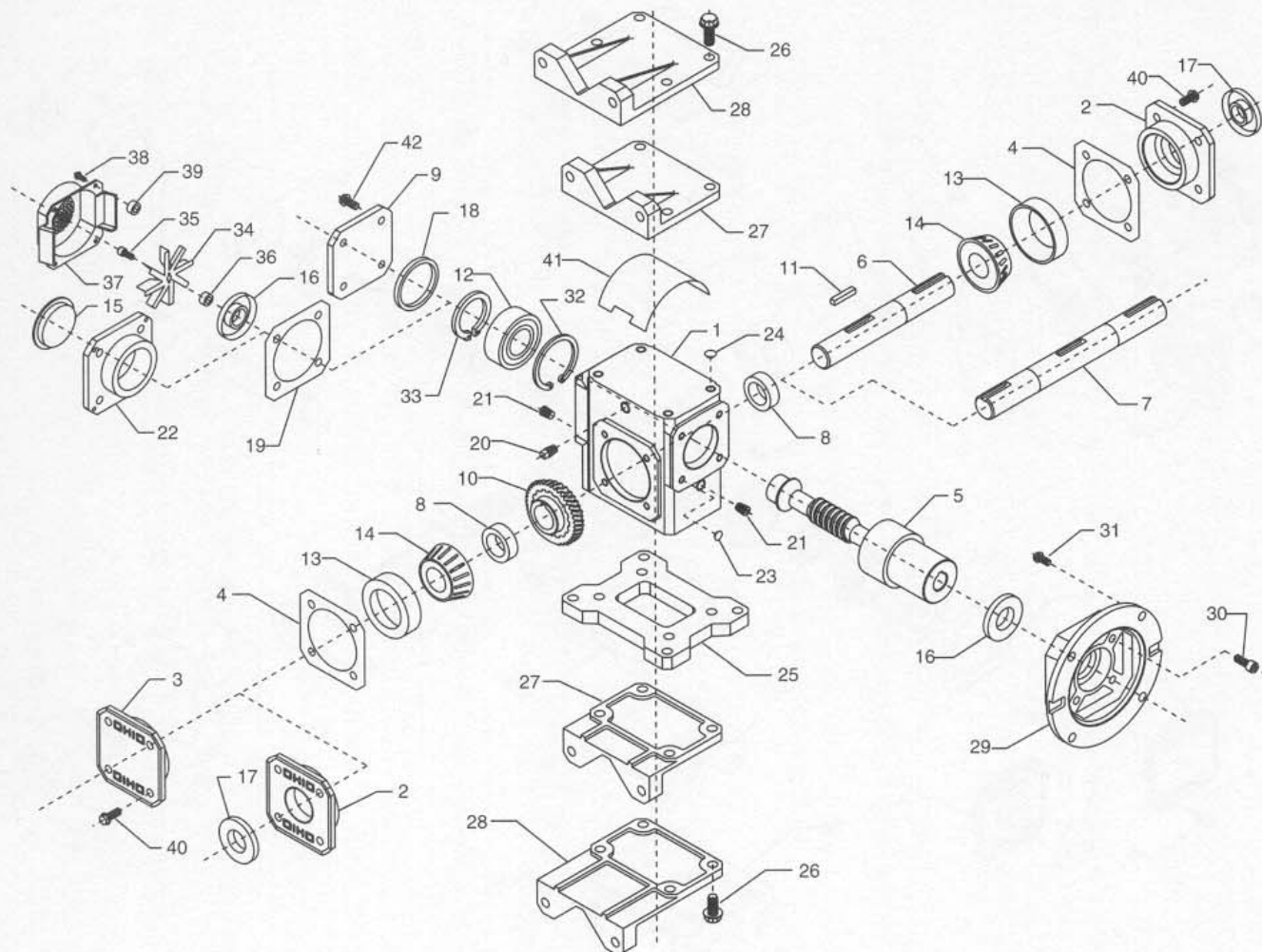


Parts List— Single Reduction

**B, S, U, PL, PH
Quill Input**



Item	Description	Item	Description
1.	Housing	22.	Cover, Live End, High Speed **
2.	Bearing Carrier, Live End, Low Speed	23.	Cap, Thread Protective, High Speed
3.	Bearing Carrier, Dead End, Low Speed	24.	Cap, Thread Protective, Housing
4.	Shim, Bearing Carrier	25.	Base, Horizontal, U Style
5.	Shaft, High Speed	26.	Screw, Hex Head
6.	Shaft, Single Output, Low Speed	27.	Base, Vertical, Low, PL Style
7.	Shaft, Double Output, Low Speed	28.	Base, Vertical, High, PH Style
8.	Spacer, Low Speed Shaft	29.	Housing, Motor Bell, MQ Input
9.	Cover, Dead End, High Speed *	30.	Screw, Hex Socket Head
10.	Worm Gear	31.	Screw, Hex Head
11.	Key, Low Speed Shaft	32.	Retaining Ring, Internal
12.	Bearing, Ball, High Speed	33.	Retaining Ring, External
13.	Cup, Bearing, Low Speed	34.	Fan **
14.	Cone, Bearing, Low Speed	35.	Screw, Hex Socket Head **
15.	Plug, Bore **	36.	Spacer, Fan **
16.	Seal, Oil, High Speed	37.	Housing, Fan **
17.	Seal, Oil, Low Speed	38.	Screw, Hex Head
18.	Shim, Selective *	39.	Spacer, Fan Housing ***
19.	Shim, High Speed **	40.	Screw, Hex Head
20.	Fitting, Vent	41.	Splash Guard
21.	Plug, Pipe	42.	Screw, Hex Head

* Used on Units 2133 thru 2262 ** Used on Units 2300 thru 2525 *** Used on Units 2425 and 2525