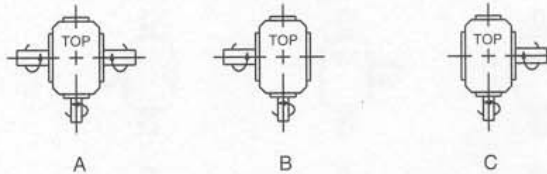
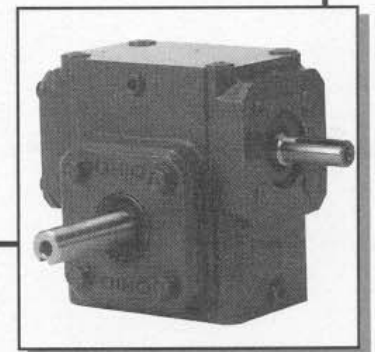


ASSEMBLIES



Shafts may be rotated either direction. Arrows merely indicate relative rotation. When ordering specify assembly desired.



†Fans are optional for units 2300 through 2525.
Fans included on units 1600 and up.



Unit	A	B	C	D	E	F	G	H	J	K	Y	Z
2133	2.75	4.00	4.66	1.72	1.33	2.00	1.00	5/16-18	3.25	1.63	2.56	-
2175	3.82	5.00	5.75	2.06	1.75	2.75	1.38	5/16-18	4.19	2.09	3.15	-
2206	3.94	5.62	6.38	2.28	2.06	2.88	1.44	3/8-16	5.00	2.50	3.46	-
2238	4.18	6.26	6.94	2.50	2.38	2.88	1.44	3/8-16	5.00	2.50	3.68	-
2262	4.56	7.26	8.00	2.94	2.62	3.38	1.69	3/8-16	6.38	3.19	4.24	-
2300	5.06	8.26	8.88	3.25	3.00	4.00	2.00	7/16-14	7.00	3.50	4.87	6.34
2325	6.06	8.54	9.38	3.50	3.25	4.00	2.00	7/16-14	7.50	3.75	4.93	6.40
2425	6.56	11.00	12.00	4.44	4.25	5.00	2.50	5/8-11	9.50	4.75	6.30	8.15
2525	7.50	13.00	14.00	5.31	5.25	5.81	2.91	5/8-11	11.00	5.50	7.30	9.15
1600	8.12	14.50	16.50	6.50	6.00	6.38	3.19	5/8-11	12.75	6.38	8.35	11.50
1700	7.64	15.36	18.94	7.58	7.00	5.50	2.75	1-8	12.50	6.25	-	11.36
1800	8.64	17.36	21.20	8.86	8.00	6.50	3.25	1-8	14.25	7.13	-	12.32
11000	9.52	21.24	25.80	10.36	10.00	6.88	3.44	1 1/4-7	17.75	8.88	-	14.48

Unit	High Speed Shaft					Low Speed Shaft				
	L	M	S	U	KEY	N	O	P	T	KEY
2133	3.69	1.31	1.00	.500	1/8 x 1/8	4.00	1.89	1.50	.625	3/16 x 3/16
2175	4.75	1.81	1.50	.625	3/16 x 3/16	4.31	1.63	1.25	.875	3/16 x 3/16
2206	5.06	1.81	1.50	.625	3/16 x 3/16	4.69	1.95	1.35	1.000	1/4 x 1/4
2238	5.75	2.25	1.62	.750	3/16 x 3/16	5.09	2.25	1.56	1.125	1/4 x 1/4
2262	6.31	2.25	1.62	.750	3/16 x 3/16	5.63	2.60	2.03	1.125	1/4 x 1/4
2300	6.94	2.25	2.00	.875	3/16 x 3/16	6.75	3.38	2.88	1.250	1/4 x 1/4
2325	7.00	2.25	2.00	.875	3/16 x 3/16	7.06	3.25	2.88	1.375	5/16 x 5/16
2425	9.56	3.50	3.00	1.125	1/4 x 1/4	8.06	3.79	3.50	1.750	3/8 x 3/8
2525	10.56	3.46	3.00	1.250	1/4 x 1/4	9.06	4.30	4.00	2.000	1/2 x 1/2
1600	12.25	3.78	3.00	1.500	3/8 x 3/8	10.00	4.66	4.00	2.500	5/8 x 5/8
1700	11.50	3.00	2.88	1.625	3/8 x 3/8	11.76	4.84	4.00	2.750	5/8 x 5/8
1800	12.50	2.74	2.81	1.875	1/2 x 1/2	12.26	5.38	4.50	3.000	3/4 x 3/4
11000	15.50	3.76	3.81	2.250	1/2 x 1/2	14.76	5.98	5.00	3.750	7/8 x 7/8